



DT 300

# DT 300 SERIES

## EAR DEFENDING HEADPHONES / HEADSETS

### Versions

- DT 300 Headphone
- DT 390 Headset w/ Dynamic Mic
- DT 394 Headset w/ Electret Mic

### FEATURES

- Ear defending
- High suppression of ambient noise
- Exceptional audio quality
- Rugged mechanical construction

### DESCRIPTION

The DT 300 series of headphone and headset microphones are intended for use in environments where high ambient noise level is a problem. Developed in close association with one of UK's leading manufacturers of headsets and headphones for the aviation and aerospace industry, they combine rugged mechanical construction and high suppression of ambient noise with the exceptional audio quality you would expect from a beyerdynamic product. The range comprises headphones, headsets with a dynamic microphone, and headsets with an electret mic. Internal limiters for the headphones are available to special order.

### APPLICATIONS

These products are intended for use in noisy environments. For example, live concerts, simulators, industrial areas, and construction sites.

### TECHNICAL SPECIFICATIONS

#### Headphone

- Impedance . . . . . 250 ohms
- Frequency response. . . . . 5-30kHz
- Sensitivity 1mW . . . . . 97dB
- External noise reduction. . . 27dB

#### Microphone Dynamic

- Polar pattern. . . . . Hypercardioid
- Impedance. . . . . 200 ohms
- Frequency response. . . . . 45-12kHz
- Load impedance. . . . . >1k
- Output. . . . . 1.5mV/Pa

#### Microphone Electret

- Polar pattern. . . . . Cardioid
- Load impedance. . . . . >1k
- Frequency response. . . . . 40-17kHz
- Supply voltage. . . . . 5-10V (see drawing)
- Output. . . . . 6mV/Pa

**Germany**  
Theresienstr. 8  
74072 Heilbronn  
Tel. (0 71 31) 617-0  
Fax (0 71 31) 6 04 59  
www.beyerdynamic.de

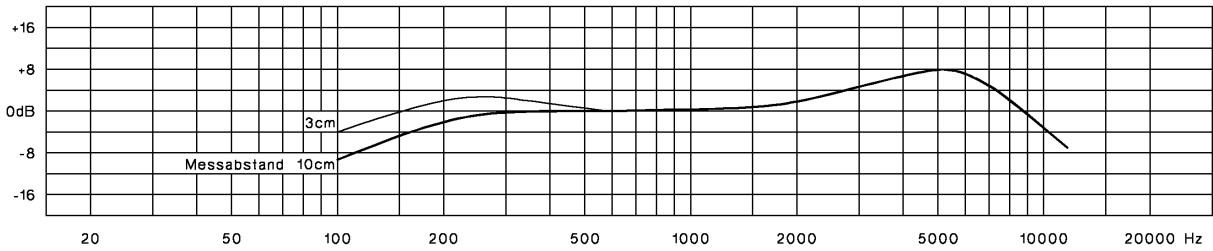
**United States**  
56 Central Ave.  
Farmingdale, NY 11735  
Tel. (631) 293-3200  
Fax (631) 293-3288  
www.beyerdynamic.com

**Great Britain**  
17 Albert Drive  
Burgess Hill RH15 9TN  
Tel. (01444) 258258  
Fax (01444) 258444  
www.beyerdynamic.co.uk

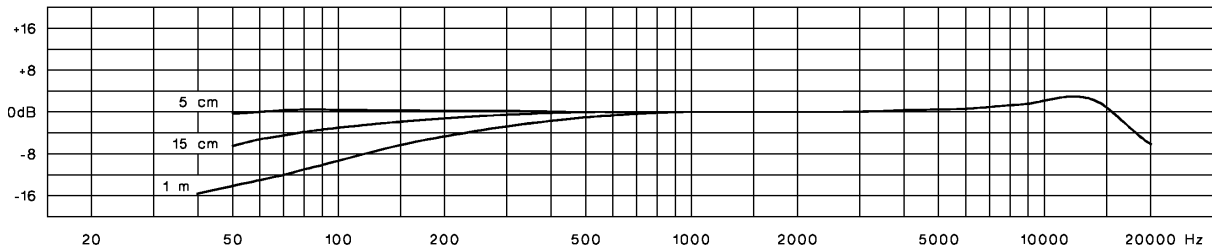
# FREQUENCY RESPONSE & POLAR PATTERN

This frequency response curve and polar pattern correspond to typical production run specifications for this microphone.

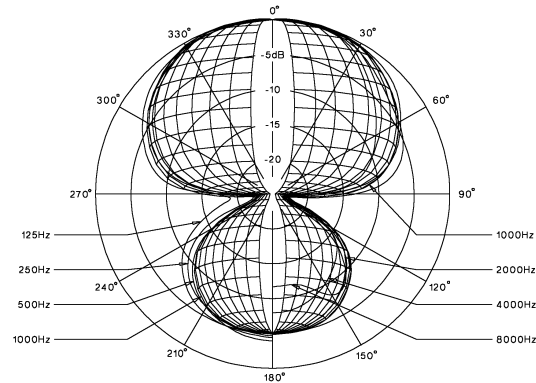
Frequency response curve DT 390



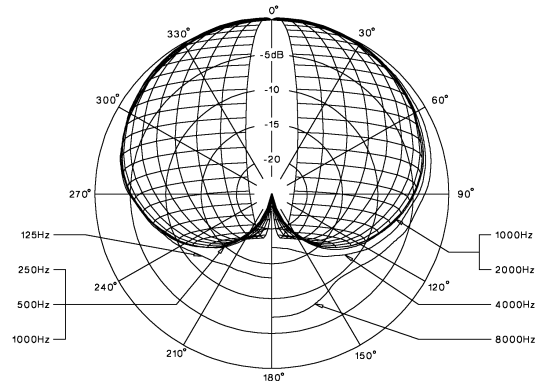
Frequency response curve DT 394



DT 390 Dynamic Microphone



DT 394 Electret Microphone



## WIRING DIAGRAM

Positive pressure produces positive voltage on yellow lead (+). Electret capsules are fragile. Please contact tech support if you are uncertain of the correct connection.

